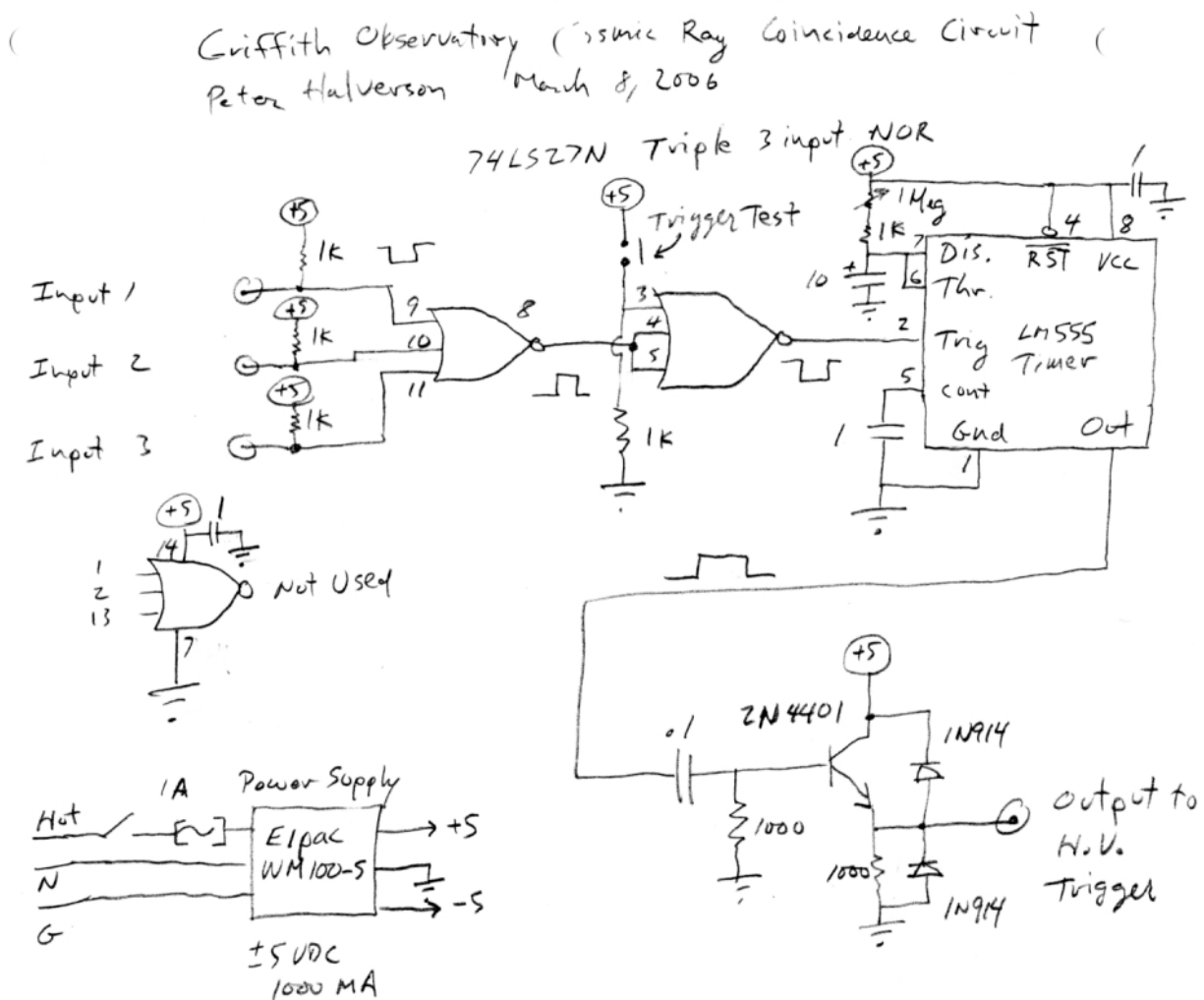


Griffith Observatory Spark Chamber Coincidence Circuit

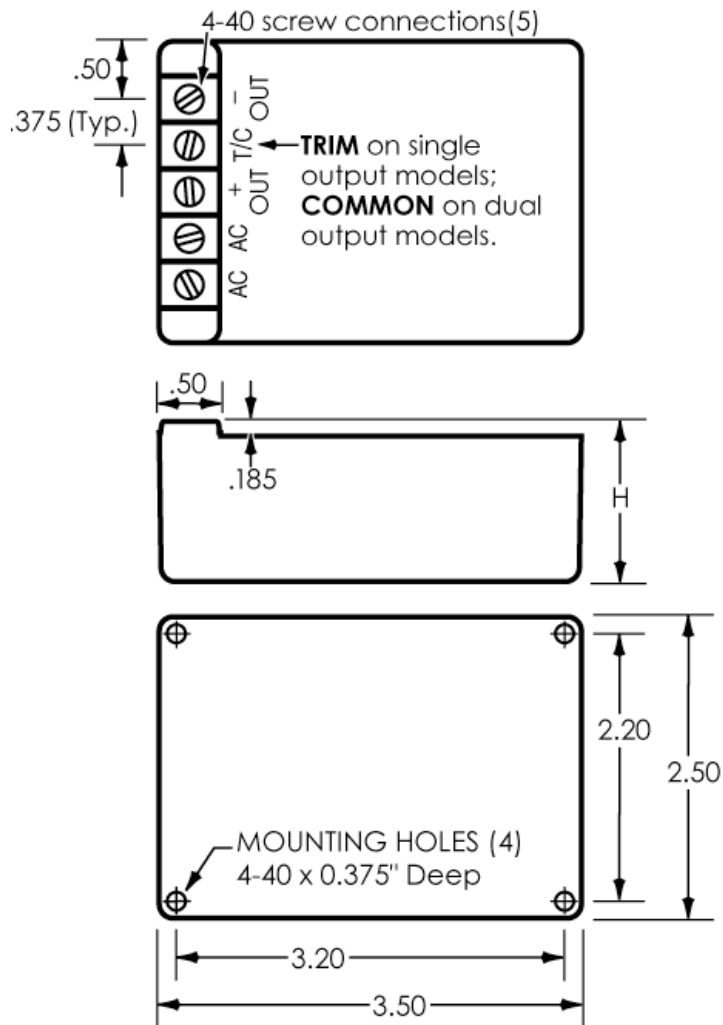
Peter Halverson Nov 20 2006



Part	Mfg, part #	Source	Catalog #	Qty	\$, each
74LS27N triple 3-input NOR		Jameco	47378CG	1 (get spares)	0.25
74LS10N triple 3-input NAND		Jameco	46404CG	1 (get spares)	0.25
LM555CN timer		Jameco	27422	2 (get spares)	0.29

Part	Mfg, part #	Source	Catalog #	Qty	\$, each
1N914 diode		Jameco	179207	8 (have?)	0.05
2N4401 NPN transistor		Jameco	38421PS	1 (have?)	0.08
Power supply, +/- 5 volts at 0.5 A	Acopian, DB5-50	P.A. Peters, (610) 861-4850		1	145.00
Enclosure 8x6x2 inch	Bud AC-1413	Mouser	563-AC-1413	1	11.30
BNC jack				5	
Audio Jack (used for PMT power)				3	
AC inlet, fused		Jameco	117444CG	1	1.95
Ferrite core/ RF choke		Jameco	318705CG	1	1.39
Power switch DPDT		Jameco	SWM126	1	1.75
Indicator lamp				1	
Ground jack (Banana)	Pomona 3267	Digi-key	501-1115-ND	4 (We'll need 10 altogether)	9.50
Breadboard		Jameco	20722CG	1	9.39
Variable resistor, 1 meg		Jameco	254748CG	1 (get spare)	2.29
Variable resistor, 10 K		Jameco	254676CG	1 (get spare)	2.29

Acopian (Power supplies)
PO Box 638,
Easton, PA 18044
www.acopian.com
1-800-523-9478
For credit-card orders, use P.A. Peters,
(610) 861-4850
-4856 fax
Contact: Glen
papeters@ot.com



Also useful

Banana plug with 6-32 X 1/2 stud	Pomona Electronics	3263		
BNC cables				
Braid				